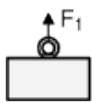
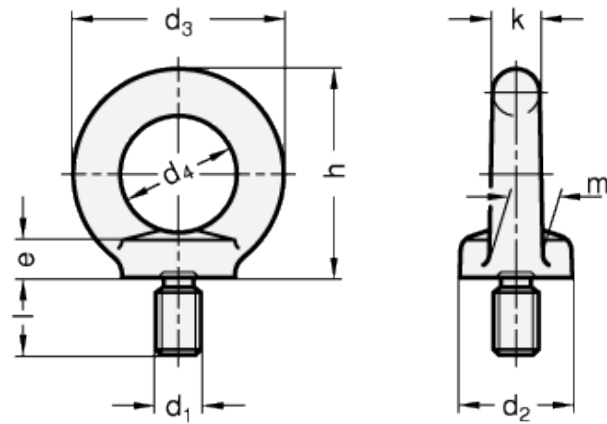
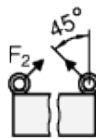


# DIN 580

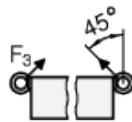
Lifting eye bolts



Axial load-bearing capacity per eye bolt



Load-bearing capacity at max. 45° per eye bolt



Lateral load-bearing capacity at max. 45° per eye bolt



Do not use under shear tension



## technical informations

### Material

Drop-forged steel annealed body, zinc-plated blue passivated, machined contact face.

### Features and applications

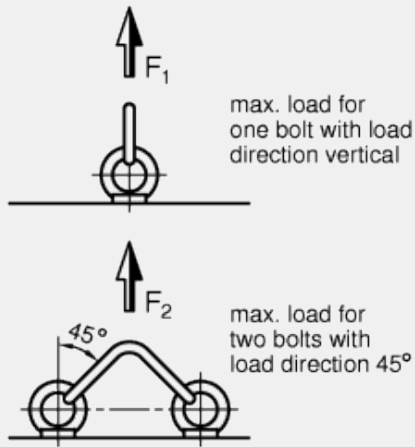
These lifting eye bolts correspond to standard sheet DIN 580.

The following guidelines of lifting eye bolts DIN 580 the have to be observed in addition to the load values given in the above table.

The eye bolt must be of fully screwd in to achieve a perfect contact between the two mating faces.

Both threads must be of a equal length and the base material of equal strength to that of the bolt.

For more guidelines, see the enclosed operating instruction.



Standard Elements	Main dimensions							Threaded stud		F <sub>1</sub> max. in N	F <sub>2</sub> max. in N	F <sub>3</sub> max. in N	Weight g
	Description	d <sub>2</sub>	d <sub>3</sub>	d <sub>4</sub>	e	h	k	m	d <sub>1</sub>				
DIN 580-M8-ST	20	36	20	6	36	8	10	M8	13	1400	1000	700	56
DIN 580-M10-ST	25	45	25	8	45	10	12	M10	17	2300	1700	1150	108
DIN 580-M12-ST	30	54	30	10	53	12	14	M12	20.5	3400	2400	1700	174
DIN 580-M16-ST	35	63	35	12	62	14	16	M16	27	7000	5000	3500	280
DIN 580-M20-ST	40	72	40	14	71	16	19	M20	30	12000	8600	6000	450
DIN 580-M24-ST	50	90	50	18	90	230	24	M24	36	18000	12900	9000	880
DIN 580-M30-ST	65	108	60	22	109	24	28	M30	45	32000	23000	16000	1525
DIN 580-M36-ST	75	126	70	26	128	28	32	M36	54	46000	33000	23000	2605



STANDARD MACHINE ELEMENTS WORLDWIDE